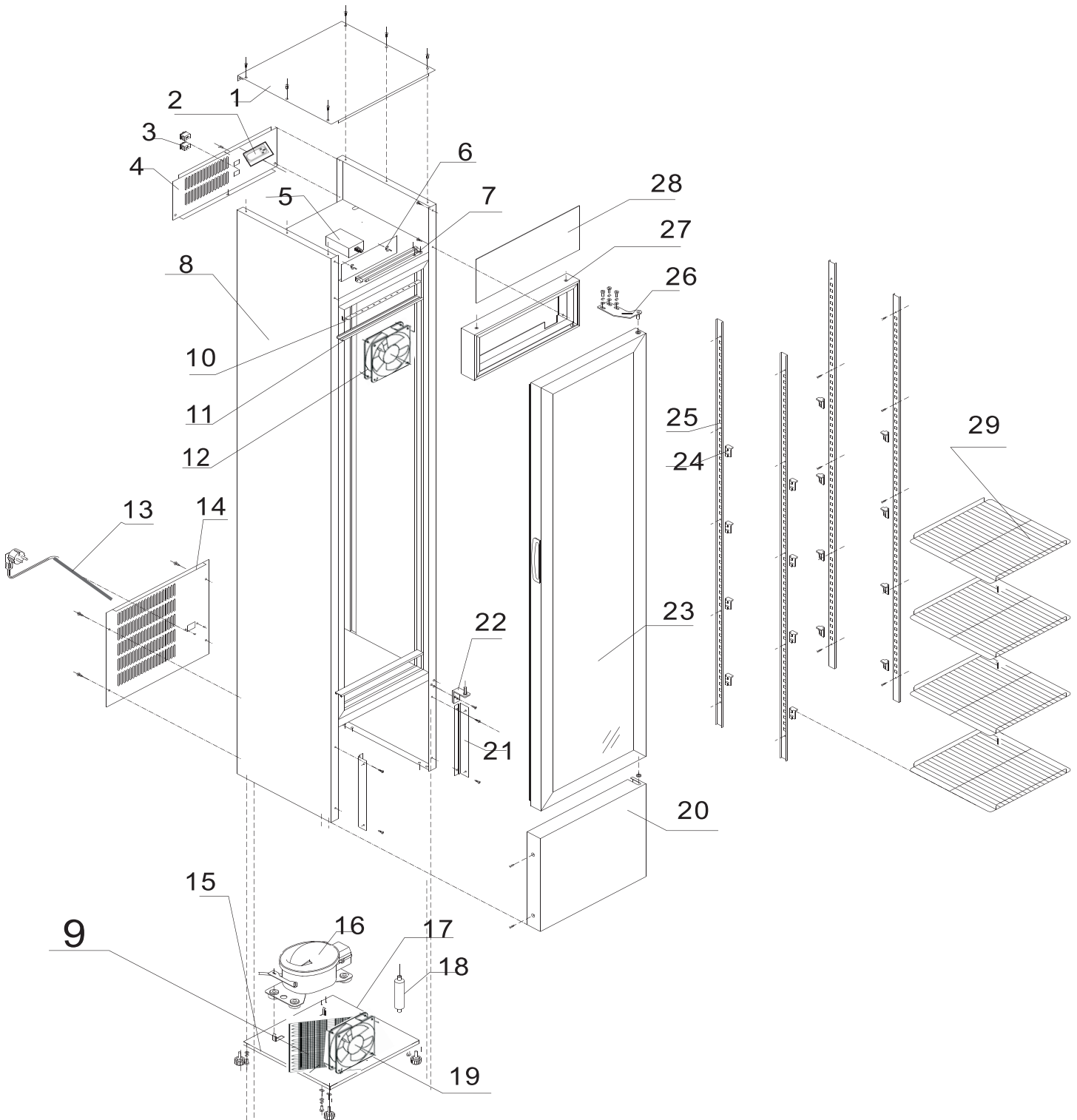


Parts Breakdown

Model FR-CN-0105B 47242



Parts Breakdown

Model FR-CN-0105B 47242

Item No.	Description	Position	Item No.	Description	Position	Item No.	Description	Position
AH311	Top Panel for 47242	1	AH321	Lampshade for 47242	11	AH331	Connector for Front Bottom Panel for 47242	21
AH312	Digital Temperature Controller for 47242	2	AH322	Evaporation Fan for 47242	12	AH332	Hinge Down for 47242	22
AH313	On/Off Button for 47242	3	AH323	Power Line for 47242	13	AH333	Glass Door for 47242	23
AH314	Back Panel for 47242	4	AH324	Seal Plate for Compressor Room for 47242	14	AH334	Shelf Holder for 47242	24
AH315	Transformer for LED for 47242	5	AH325	Base Foot for 47242	15	AH335	Stand Column for 47242	25
AH316	Lamp Holder for 47242	6	AH278	Compressor NUG60LR for 47242	16	AH336	Hinge Upper for 47242	26
AH317	LED Tube for 47242	7	AH327	Bottom Plate for Compressor for 47242	17	AH337	Top Frame for Light Box for 47242	27
AH318	Case for 47242	8	AH328	Filter Drier for 47242	18	AH338	Lamp Plate for 47242	28
AH319	Condenser for 47242	9	AH329	Heat Elimination Fan for 47242	19	AH339	Shelf for 47242	29
AH320	Inner LED Lamp for 47242	10	AH330	Front Bottom Panel for 47242	20			